




PROJECT		REF		REV	ITEM CODE	
LOCATION		DATE			PAGE	

## SANITARY WARE SPECIFICATION SHEET

Item Descriptions	Stern (Israel) "Neptune 1032" Chrome plated concealed wall-mounted sensor shower in DC Supply with <b>internal 9V battery box</b> ; top access replacement of batteries	<b>Illustration/ Drawing</b>  
Dimensions	L95 x W121 x H95 mm	
Model	Neptune 1032	
Code Number	613200	
Finish	Chrome Plated	
Supplier	Acme Sanitary Ware Co. Ltd Mr. Eric Wong/ Mr. Don Yuen	
Contact Tel/Fax	(852) 2388-7171 / (852) 2710-8012	
E-mail	acme@acmesanitary.com.hk	
Website	www.acmesanitary.com.hk	

**NEPTUNE 1032 Ref # 613200**

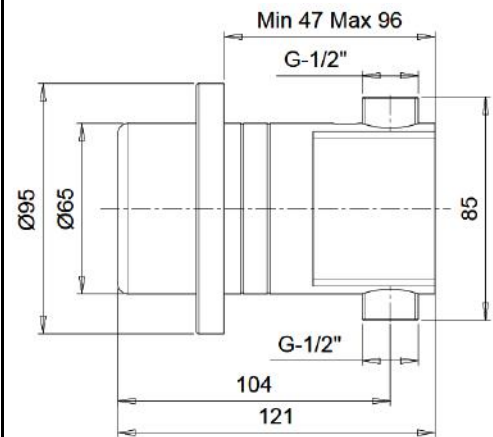
Touch free electronic shower control operated by an infrared sensor. Non return valves and filters included. All components are located inside the product body. Low battery indicator included. The following settings can be changed by using the Stern remote control: sensor range, security time, delay in, delay out and on-off.

**Application:**

Combines an elegant design with high quality into a vandal resistant product. Helps washrooms to stay hygienic, safe and water saving. Ideal for sport facilities and spas.

**Use:**

Touch free electronic shower control. The shower will be activated once the user steps within the sensor range.



**CONCEALED ELECTRONIC SHOWER FOR COLD OR PREMIXED WATER**

**Power supply:** Internally mounted 9V battery or 9V transformer





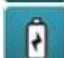
**Recommended water pressure:** 0.5-8.0 bar (7-116 PSI)

**Preset sensor range:** 55 cm – Adjustable manually or with a remote control

**Security time:** 10 minutes

**Delay In / Out Time:** 10 Seconds



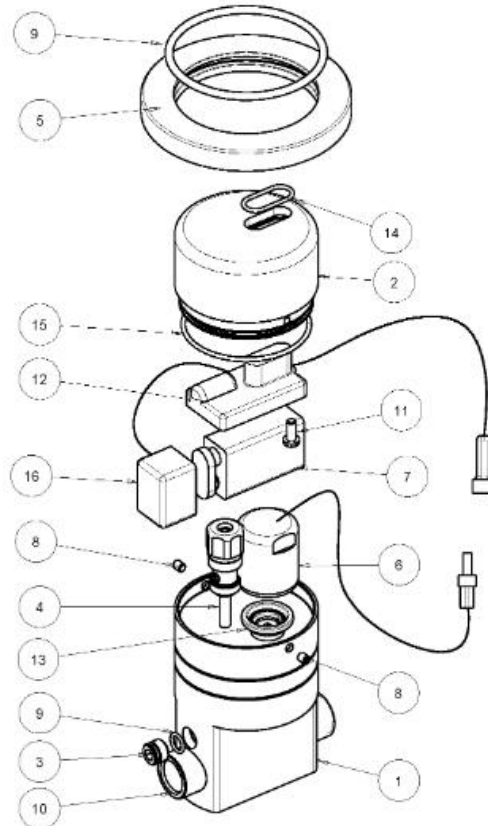
-  **Installation:**  
Wall mounted concealed
-  **Water supply:**  
Cold or premixed water (1 inlet)
-  **Water temperature:**  
Max 70 °C
-  **Operating pressure:**  
0.5 - 8.0 bar
-  **Power source:**  
9V Lithium battery

\* All information of the above is for the reference only. No prior notice is made if any changes.



## SANITARY WARE SPECIFICATION SHEET

### Neptune 1032 (613200)



Quantity	Part Number	Description	Cat. No.
	-	<b>Seals and Screws Kit</b>	<b>07210008</b>
1	15	O-ring	
1	14	O-ring	
2	8	Screw	
1	11	Screw	
	-	<b>Sensor Kit</b>	<b>07220011</b>
1	12	Electronic Sensor	
1	14	O-ring	
	4	<b>Filter Stop Valve Kit</b>	<b>07212002</b>
	-	<b>Cover kit</b>	<b>07270005</b>
1	2	Cover	
1	15	O-ring	
2	8	Screw	
	16	<b>Battery Cover</b>	<b>06500001</b>
	-	<b>Solenoid valve kit</b>	<b>07230002</b>
1	6	Solenoid valve	
1	13	Diaphragm	
	13	<b>Diaphragm</b>	<b>04500001</b>
	-	<b>Cover plate kit</b>	<b>07260010</b>
1	5	Rosetta	
1	9	O-Ring	

**Note:** In order to locate the relevant spare part, please check the corresponding parts and part number in the drawing. Minimum order quantity will be required.

\* All information of the above is for the reference only. No prior notice is made if any changes.

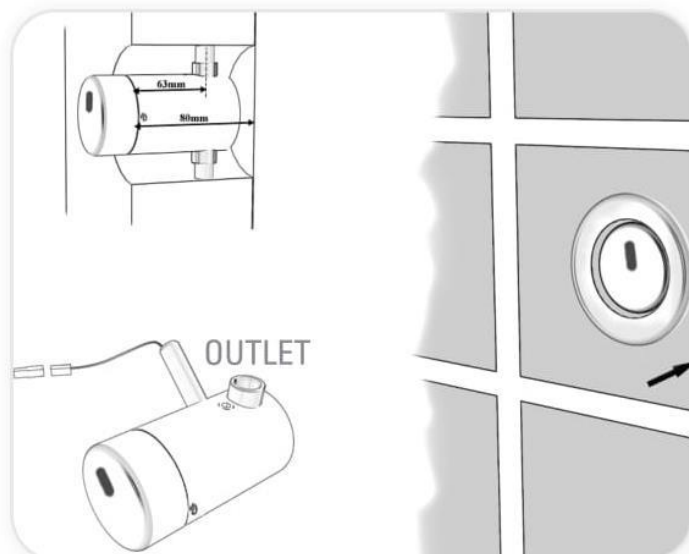


## INSTALLATION

- 1) Shut off the water supply.
- 2) Cut an adequate opening in the wall for the dimensions of the product and if your model is Neptune 1032 E for the electric wires.
- 3) Insert the product through the wall opening and assemble the inlet to the water supply pipe in the wall.
- 4) Connect the outlet to the pipe leading to the shower head.
- 5) Mount the shower body to the wall so it will protrude from the wall as shown in the drawing.

6) If your model is Neptune 1032 E place the transformer near the electricity plug (up to 3 meters from the electronic shower body) and connect the transformer wire to the shower body through the hole.

**Important:** After connecting the power source, wait a few seconds before activating the shower control to avoid entering into "adjusting mode".



- 7) Turn on the water supply and check for leaks.
- 8) After the ceramic tiles are installed, assemble the cover plate over the shower body on the wall.
- 9) If the range is unsatisfactory, refer to the section titled "Settings adjustment".



## BATTERY REPLACEMENT

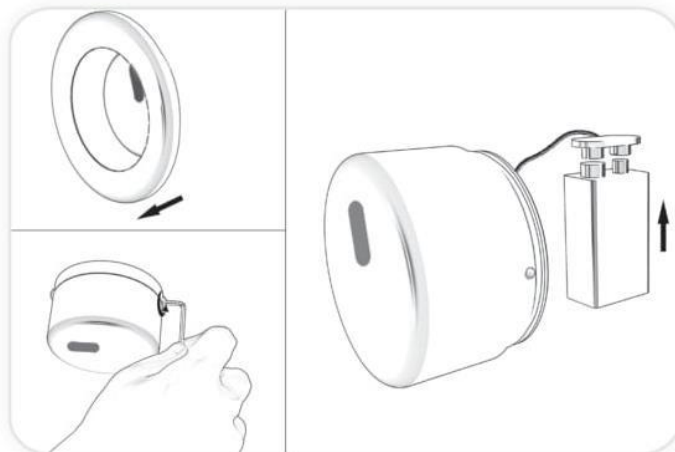
### Battery models only

When the battery weakens, the red indicator light will blink at a constant rate when the user's hands are within the sensor range. The battery must be replaced within two weeks.

### To replace the battery at battery models:

1) Pull out the cover plate. Release the screw with the Allen key and carefully pull it out.

2) Replace the used battery with a new 9V battery (Lithium battery is recommended).



3) Before reassembling the cap, make sure that the external O-ring is not damaged. Replace it if necessary.

4) Reassemble the cover plate with the electronic cap.

**Attention:** The interior of the shower body and the cover plate must be fully dry before reassembling the parts. If it is not fully dry, carefully dry it.

5) Connect the solenoid valve

connector to the electronic unit connector.

6) Assemble the cap.

7) Tighten the screw.

**NOTE:** In order to avoid entering the adjusting mode, wait 10 seconds after the connection of the new battery before you will operate the system.

**Important:** Spent batteries should not be disposed of with normal household waste. Contact your local authority for information on waste disposal and recycling.





# TROUBLE SHOOTING

PROBLEM	INDICATOR	CAUSE	SOLUTION
<b>No water coming out of the shower head:</b>	1.Sensor flashes continuously when user's hands are within the sensor's range.	Low battery.	Replace battery.
	2. Red light in the sensor does not flash once when user's hands are within the sensor's range.	1. Range is too short.	Increase the range.
		2. Range is too long.	Decrease the range.
		3. Battery is completely used up	The battery must be replaced.
		4. Unit is in "Security Mode"	
3. Red light in the sensor flashes once when user's hands are within the sensor's range.	5. Sensor is picking up reflections from the washbasin or another object.	Eliminate cause of reflection.	
	1. Connectors between the electronic unit and solenoid are disconnected.	Connect the electronic unit connectors to the solenoid.	
	2. Debris or scale in solenoid.	Unscrew solenoid, pull out the plunger and the spring from the solenoid and clean them.	
	3. The central whole in the diaphragm is plugged or the diaphragm is torn.	Clean the whole or replace the diaphragm.	
<b>Water flow from spout does not stop:</b>	1. Sensor flashes once when user's hands are within the sensor's range.	4. The water supply pressure is higher than 8 bar.	Reduce the supply water pressure.
		Debris or scale in diaphragm or the diaphragm is torn.	Clean the whole or replace the diaphragm.
	2. Red light in the sensor does not flash once when user's hands are within the sensor's range.	1. Sensor is dirty or covered	Clean or eliminate case of interference.
		2. Sensor is picking up reflections from mirror or another object.	

\* "Security Mode": If the sensor is covered for more than 90 sec. the shower will automatically shut off water flow. To return to normal operation remove any blockage.